

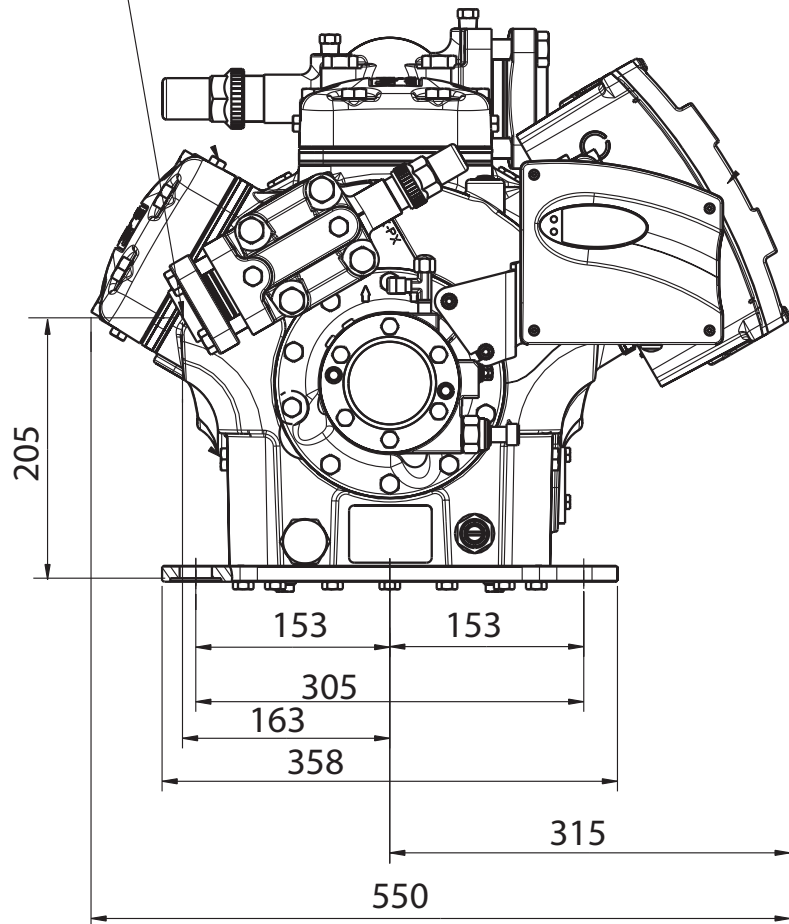
Model
6MK-50X

Drawing Number
497-1215-00

Revision Number
0

Date
19.03.2010

Discharge Valve
OUT Diameter $\varnothing 46.00$
IN Diameter $\varnothing 42.00$



Suction Valve
OUT Diameter $\varnothing 73.50$
IN Diameter $\varnothing 66.77$

