

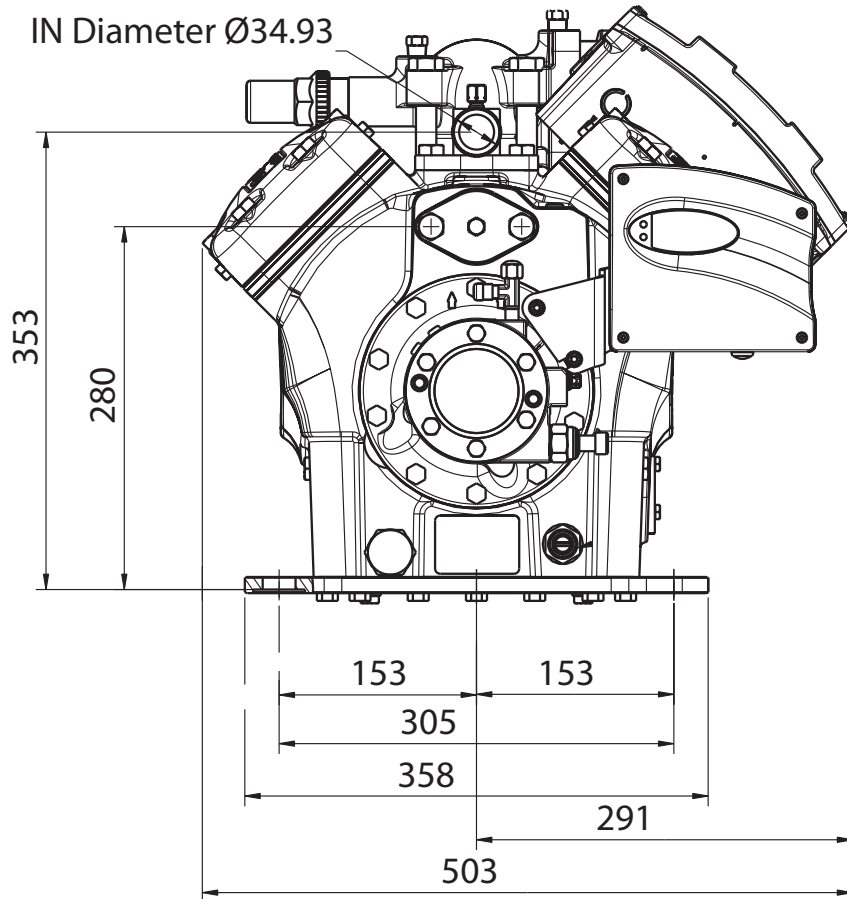
Model  
4MK-35X

Drawing Number  
497-1209-00

Revision Number  
0

Date  
19.03.2010

Discharge Valve  
OUT Diameter  $\text{\O}38.00$   
IN Diameter  $\text{\O}34.93$



Suction Valve  
OUT Diameter  $\text{\O}60.00$   
IN Diameter  $\text{\O}54.17$

